



SUBARU

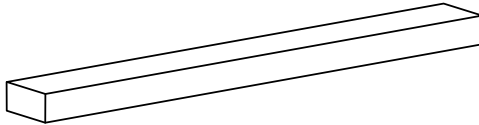
SUBARU IMPREZA

**INSTALLATION
INSTRUCTIONS**

PART NUMBER: E361SFG200

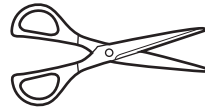
DESCRIPTION: FOAM BLOCK KIT

A KIT CONTENTS:

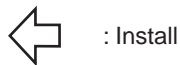


1X

TOOLS REQUIRED:

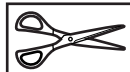
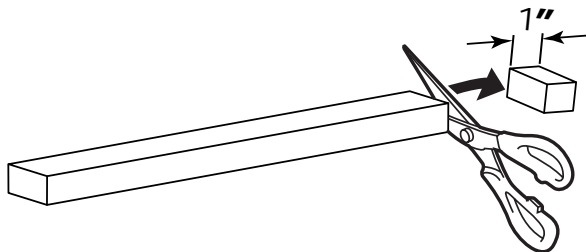


MEANING of Characters:



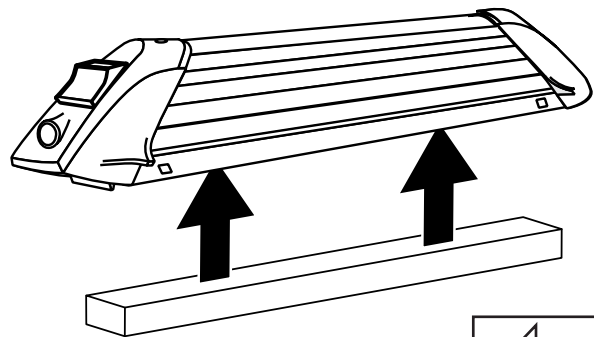
TYPE A

1



2

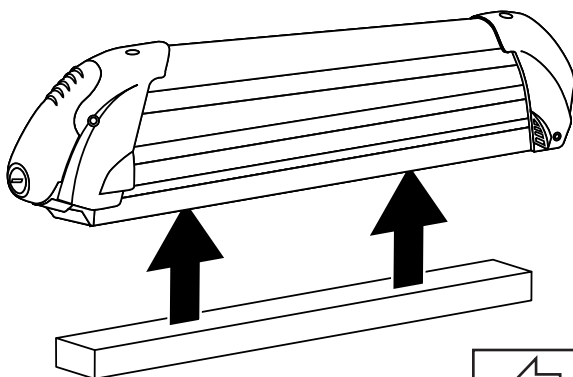
Install foam pad before attaching ski carrier to vehicle.



TYPE B

1

Install foam pad before attaching ski carrier to vehicle.



1033516 Rev. A