



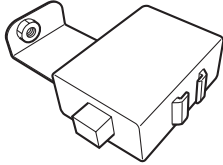
PART NUMBER : H7150FJ200 , H7110FJ200

INSTALLATION INSTRUCTIONS

DESCRIPTION : SECURITY SYSTEM UPGRADE BLK , SECURITY SYSTEM UPGRADE

KIT CONTENTS :

A



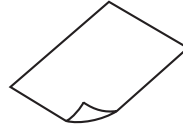
Shock Sensor Module with Integral Bracket

1X



Bolt

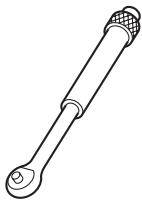
1X



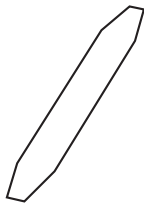
Installation Manual

1X

TOOLS REQUIRED :



Torque Wrench



Nylon Trim Removal Tool



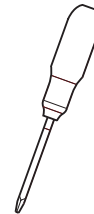
1/4" Drive Ratchet



Extension



10mm Socket



Driver (+)

MEANING OF CHARACTERS :



: Remove



: Install



: Disconnect



: Connect



: Location of Clip or Screw

T

: Tightening Torque



: Loosen



: Discard

NOTE :

This device complies with FCC rules part 15. Operation is subject to the following two conditions: (1) this device may not cause harmful interference and (2) this device must accept any interference that may cause undesired operation.

This product should be installed by a trained technician at a Subaru Dealership if you decide to install this product it must be activated by a trained technician at a Subaru Dealership utilizing a Subaru Select Monitor. The perimeter alarm (shock sensor) will not function until and unless it is activated.

PART NUMBER
H7150FJ200
H7110FJ200

ISSUE
01

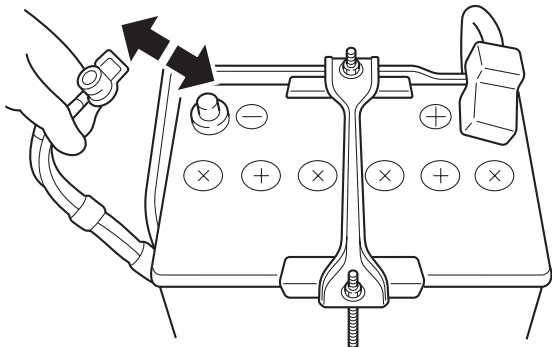
DATE
06/2011

SUBARU OF AMERICA

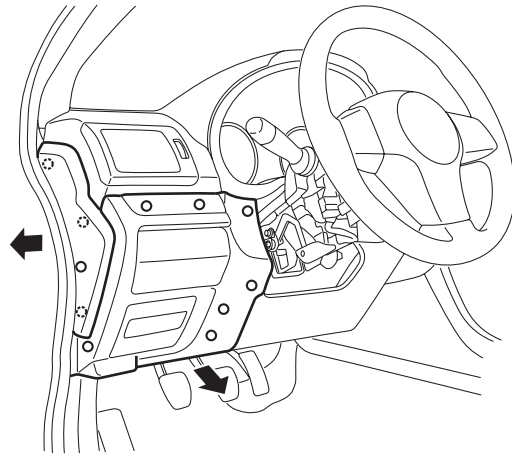
PAGE
1/2

NOTE : Installation of each part is in the reverse order of removal.

1

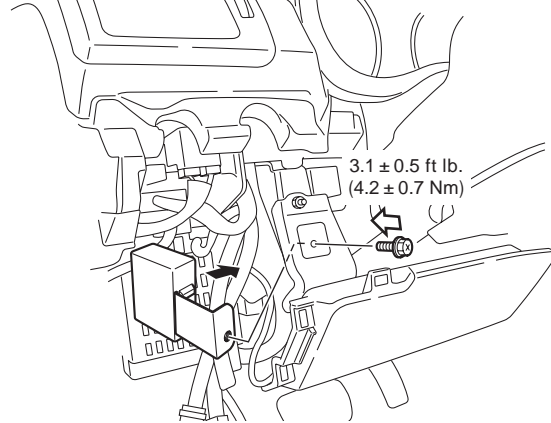


2



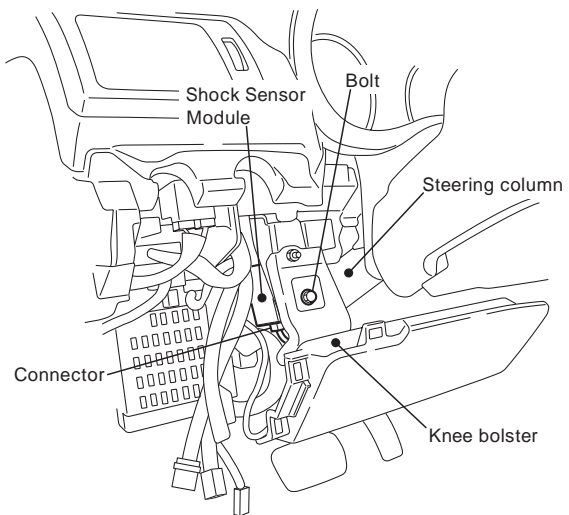
Using the trim removal tool, carefully remove the driver's side cover trim panel.
Remove one screw behind the cover.
When using the trim removal tool, be careful not to damage trim panel.
Carefully remove driver's side left hand under dash trim panel and disconnect wire connectors at left side.
To remove the under dash trim panel pull out toward driver's seat.

3



Locate the pre-arranged Perimeter Alarm control module connector (behind the left side knee bolster support) as shown.
Plug in the connector to the control module and mount the control module as shown.
Note: The control module bracket will be located behind the knee bolster support.

4



Notes on System Operation

1. Please refer to vehicle owner's manual for detail System Function and Test Information.
2. Impact Sensor set up procedure. (Subaru Select Monitor required)
 - a. Select "Subaru Vehicle"
 - b. Select "System Check"
 - c. Select "Integrated Unit"
 - d. Select "Customizing"
 - e. Select "Impact Sensor" and change to "ON"
 - f. Select "Impact Sensor Setup" and change to "ON"
3. The Impact Sensor has two levels, warning and alarm. In warning mode (light impact) the alarm will not trigger but instead will give two horn chirps and two light flashes. This is a feature of the system and is not to be regarded as a malfunction. Only in alarm mode (heavy impact) will be triggered. Please check that the impact sensor is functioning by applying light & heavy shocks.
4. In the event that the vehicle's impact sensor is too sensitive or not sensitive enough it can be adjusted. Please contact an authorized Subaru dealer for assistance.

PART NUMBER
H7150FJ200
H7110FJ200

ISSUE
01

DATE
06/2011

SUBARU OF AMERICA

PAGE
2/2