



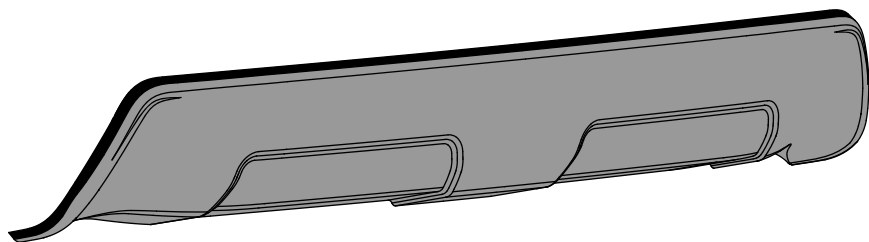
SUBARU

INSTALLATION INSTRUCTIONS

PART NUMBER: E551SFL100

DESCRIPTION: Crosstrek Rear Bumper Under Guard

KIT CONTENTS:

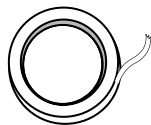


Rear Bumper Under Guard x 1

Alcohol Wipe x 2

Retainer Plug x 4

TOOLS REQUIRED:



Masking Tape

MEANING OF CHARACTERS:



: Remove

T

: Tightening Torque



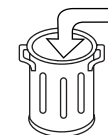
: Install



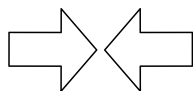
: Loosen



: Disconnect



: Discard



: Connect



: Reuse



: Location of Clip or Screw

DESCRIPTION

Crosstrek Rear Bumper Under Guard

ISSUE

01

DATE

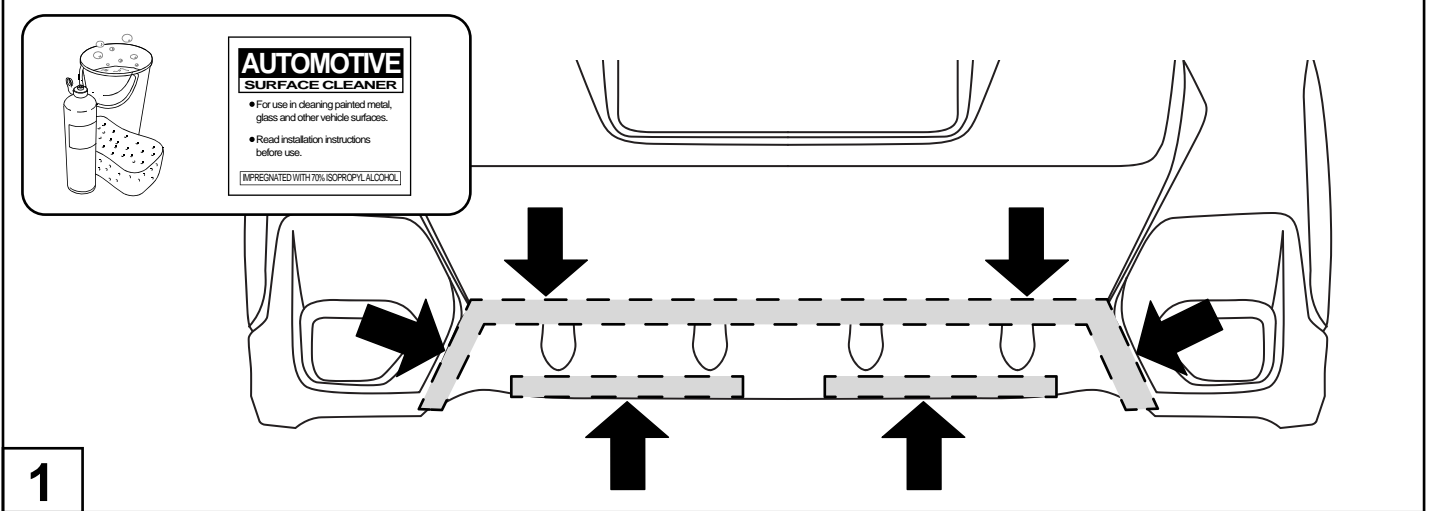
08-09-17

SUBARU OF AMERICA

PAGE

1/5

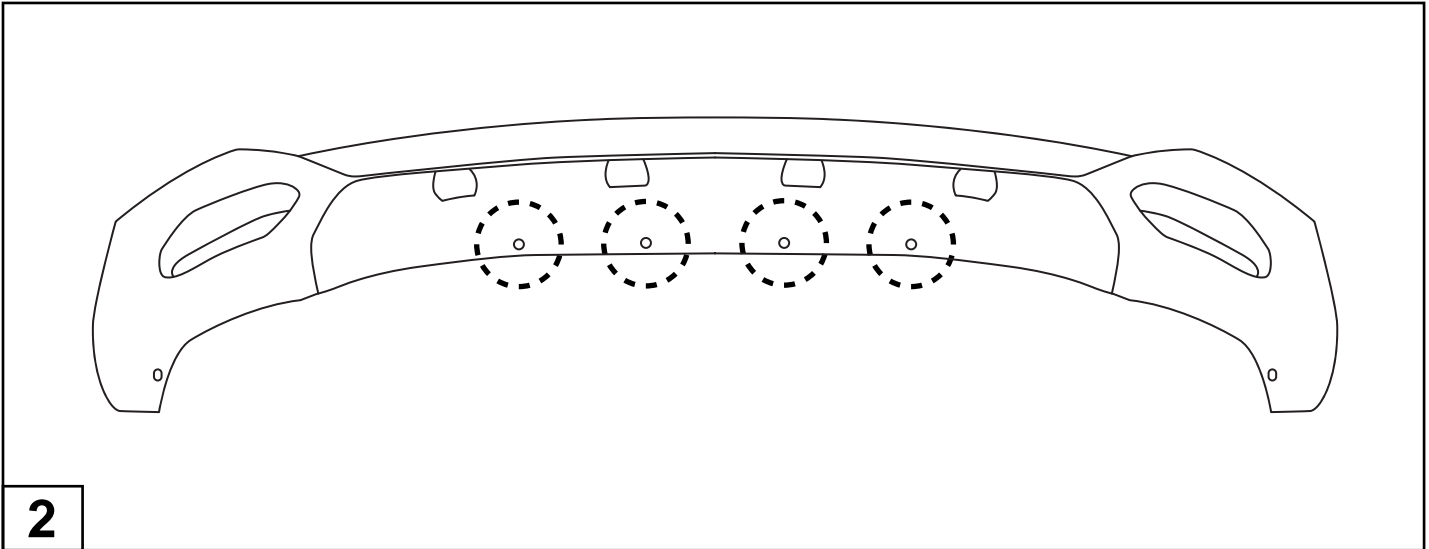
Surface Preparation



1

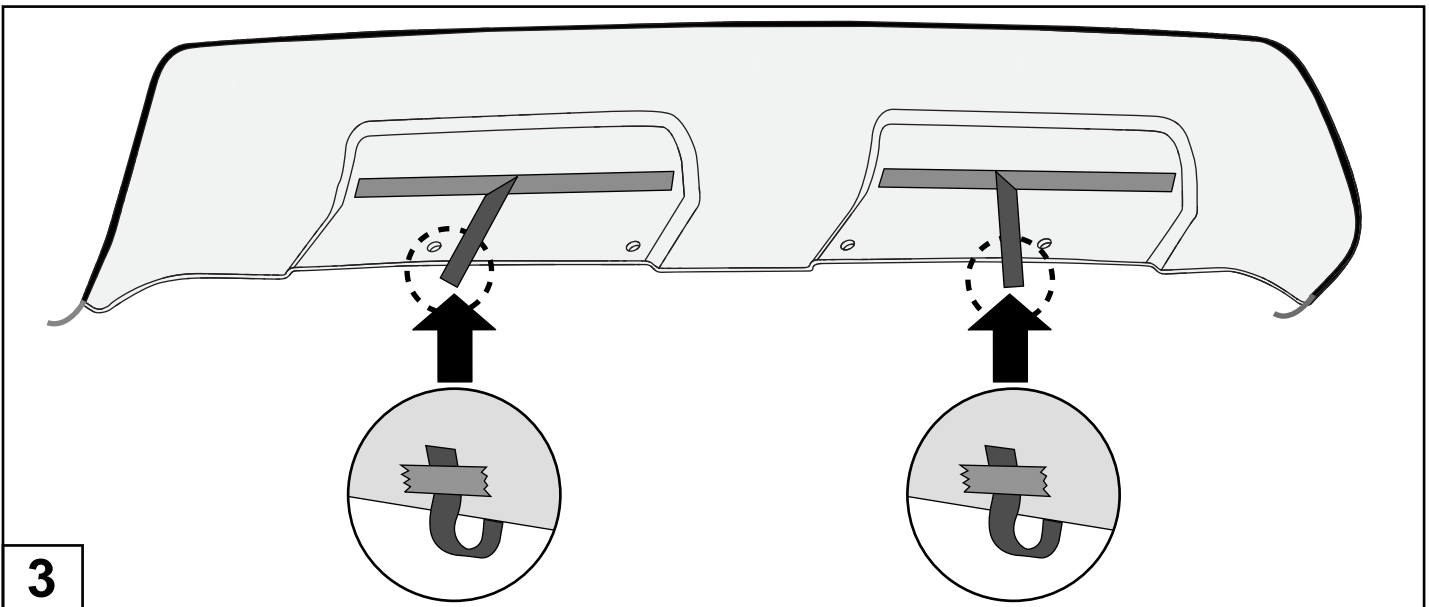
Make sure that all installation surfaces are clean, free of dirt, grease and debris using soap and water solution. Clean the indicated (shaded) tape adhesion area with the alcohol wipe (provided).

Rear Bumper Under Guard Installation



2

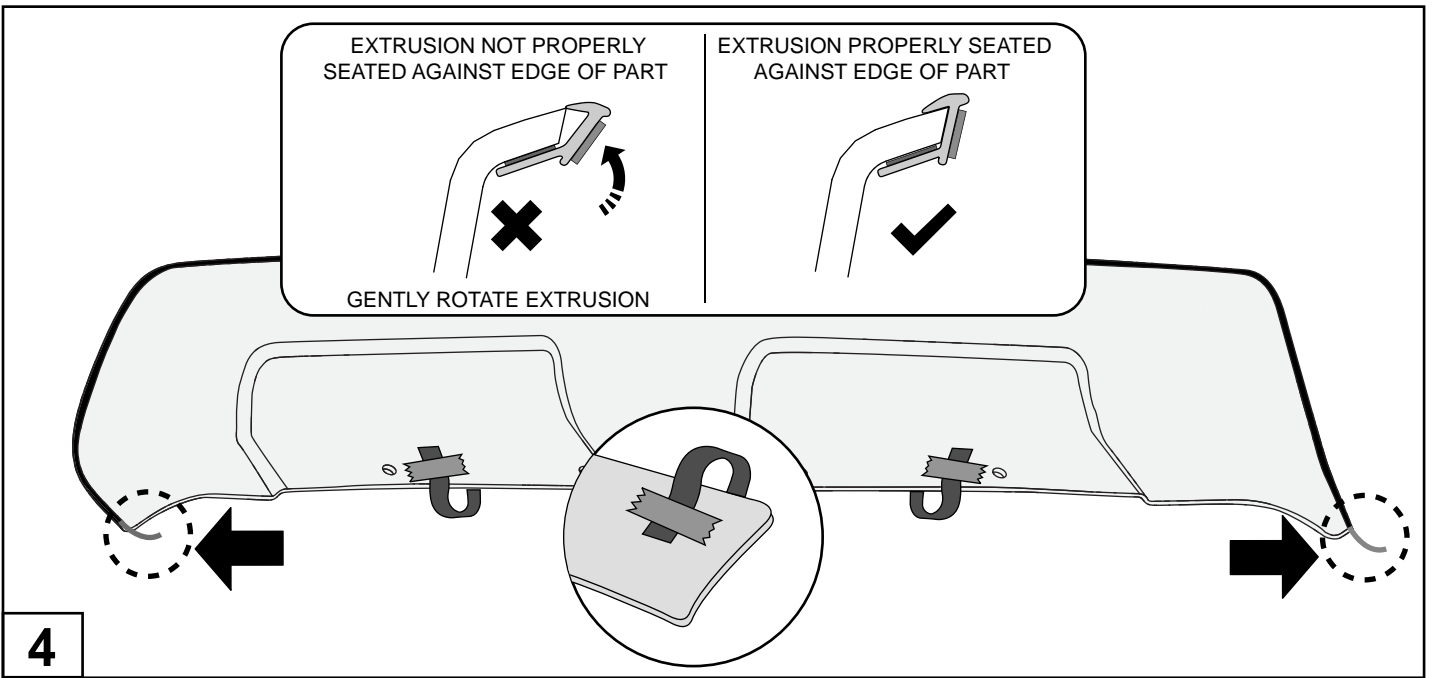
Identify (4) holes in factory bumper that will align with holes in Bumper Under Guard.



3

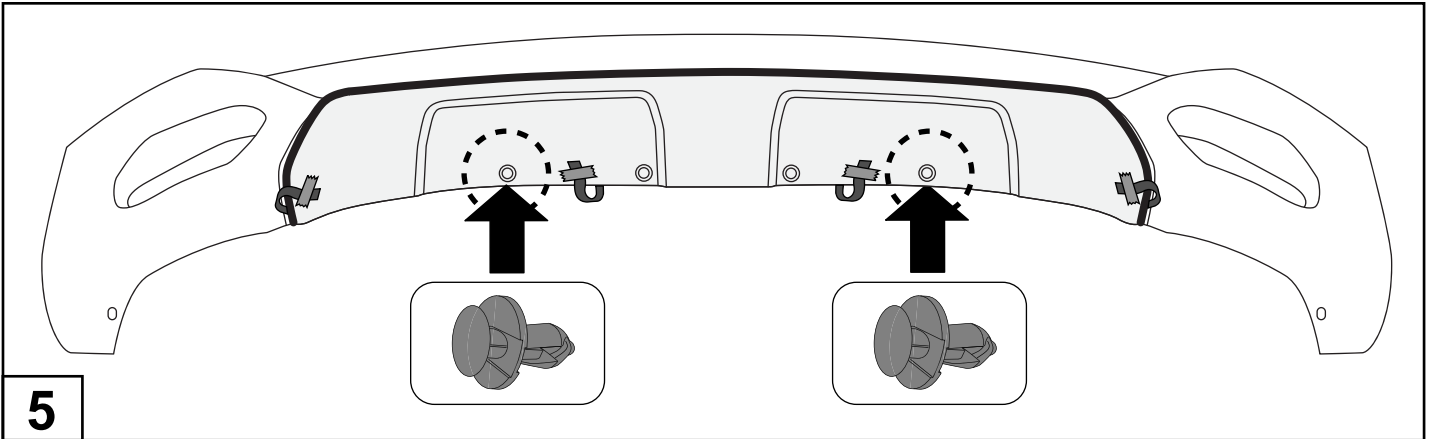
Peel back enough tape liner at each end, to go past the first (outer) mounting hole, then fold at 45 degrees to part. Tape peeled back section of tape liner to outside surface of the Bumper Under Guard using masking tape.

<p>DESCRIPTION Crosstrek Rear Bumper Under Guard</p>	<p>ISSUE 01</p>	<p>DATE 08-09-17</p>	<p>SUBARU OF AMERICA</p>	<p>PAGE 2/5</p>
----------------------------------------------------------	---------------------	--------------------------	--------------------------	---------------------



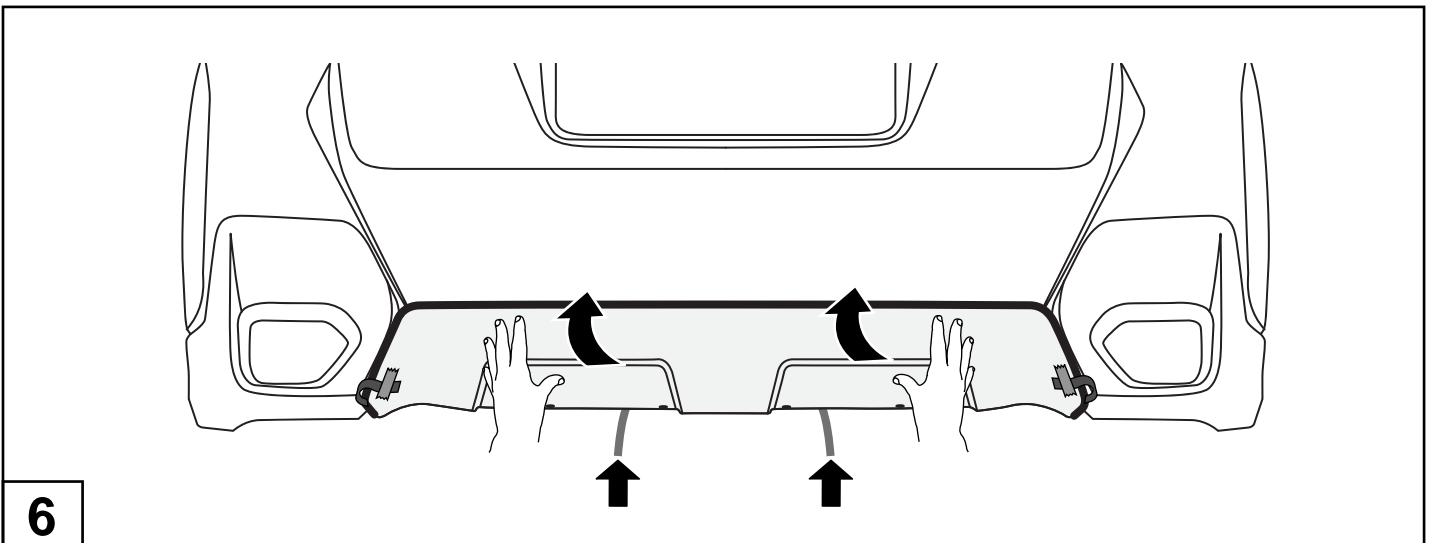
4

Inspect gasket conformity to Bumper Under Guard prior to installation. Rub gasket if needed, to ensure it is not rolled away from edge of Bumper Under Guard. Peel back approx. 50mm / 2" of tape liner at each end of the part and fold at 45 degrees to part. Tape peeled back section of tape liner to outside surface of the Bumper Under Guard using masking tape.



5

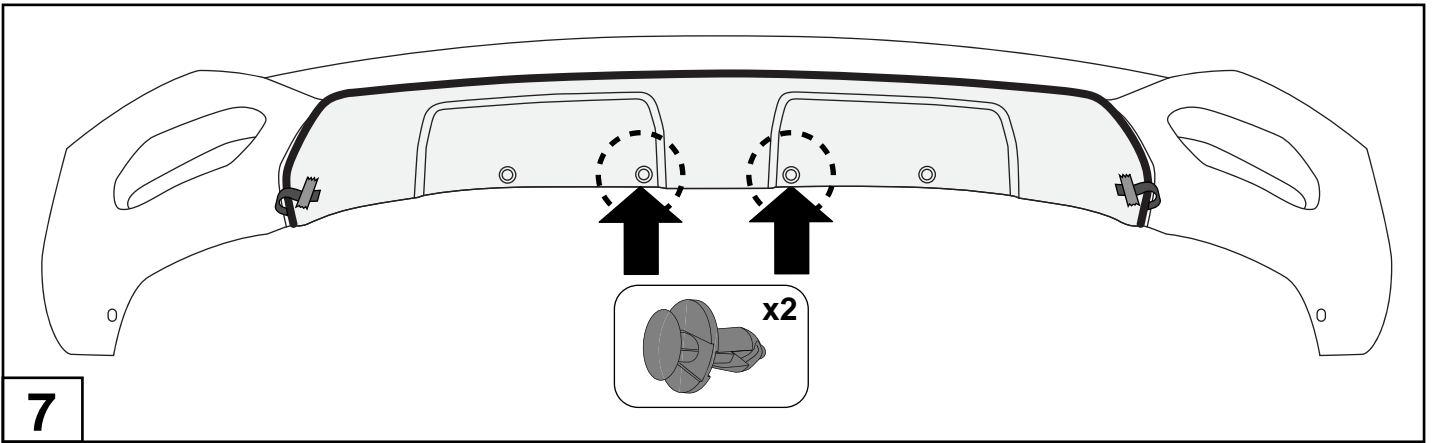
Hold Bumper Under Guard in position of best fit and in line with factory holes. Install (2) provided retainer plugs in the outer available holes in Bumper Under Guard.



6

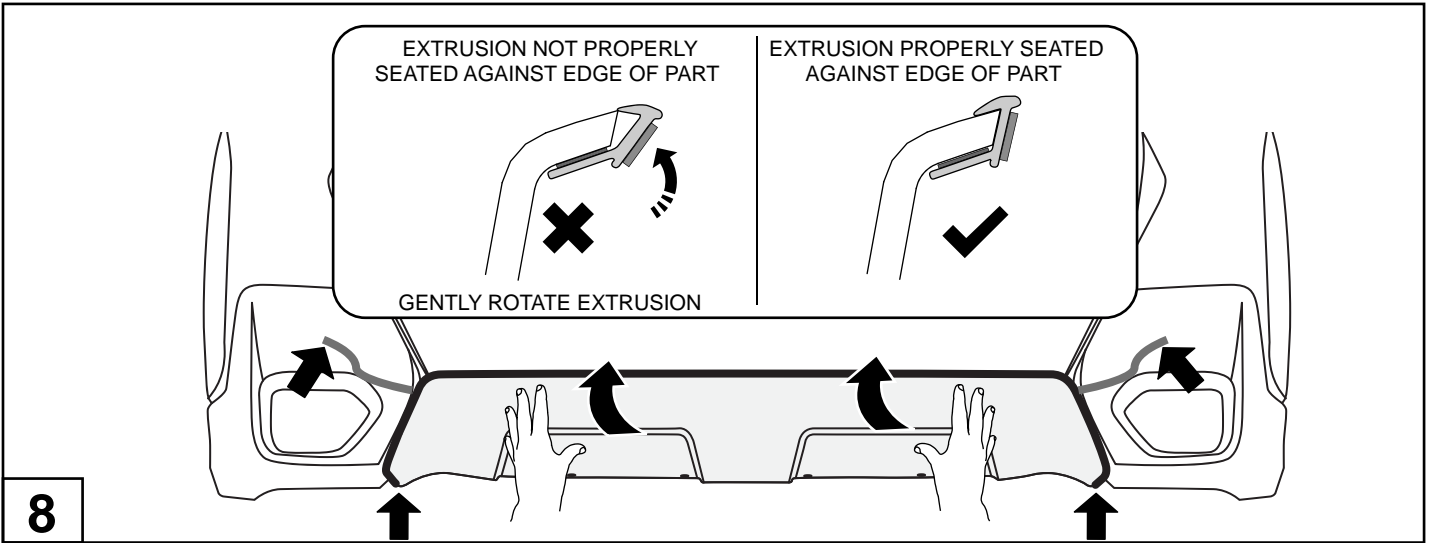
Peel remaining tape liner from center taped sections of Bumper Under Guard, then push up and forward in a rotating motion to ensure these taped sections get good contact with rear bumper.

<p>DESCRIPTION Crosstrek Rear Bumper Under Guard</p>	<p>ISSUE 01</p>	<p>DATE 08-09-17</p>	<p>SUBARU OF AMERICA</p>	<p>PAGE 3/5</p>
----------------------------------------------------------	---------------------	--------------------------	--------------------------	---------------------



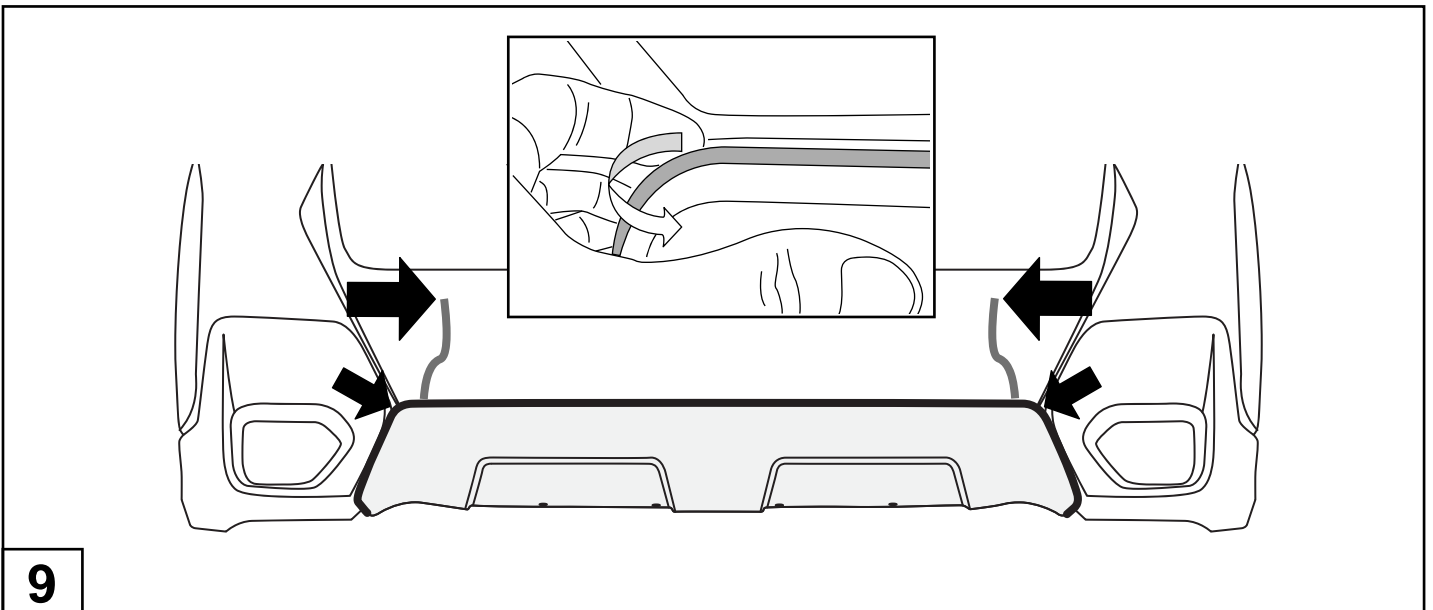
7

Install (2) provided retainer plugs in the inner available holes in Bumper Under Guard.



8

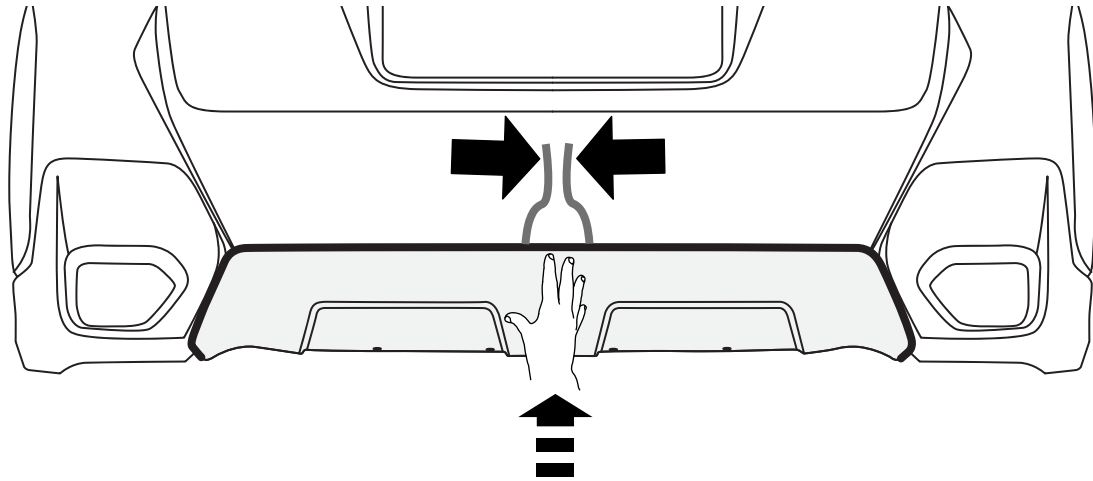
Re-inspect gasket to ensure that no areas are “rolled under” prior to installation. While holding the top edge of the Bumper Under Guard away from the bumper, remove the tape liner up to the corner intersection. Pull the Bumper Under Guard upward to align the rubber with the feature line in the rear bumper, then apply a rotating upward / forward mounting pressure to adhere this side section to the bumper. Repeat for the opposite side.



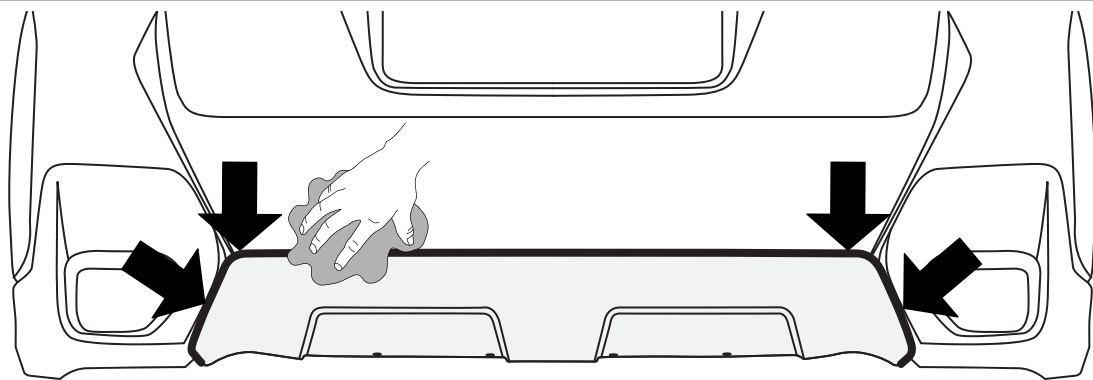
9

Rotate rubber gasket outwards while applying light forward mounting pressure to enable gasket to lay flat on bumper, carefully remove additional liner from the corner radius, pulling the liner in the direction in which it is being removed, until the corner is passed to be on the final long straight edge. Repeat for the opposite side. Apply forward pressure to adhere the corners of the Bumper Under Guard to the bumper surface.

<p>DESCRIPTION Crosstrek Rear Bumper Under Guard</p>	<p>ISSUE 01</p>	<p>DATE 08-09-17</p>	<p>SUBARU OF AMERICA</p>	<p>PAGE 4/5</p>
----------------------------------------------------------	---------------------	--------------------------	--------------------------	---------------------

**10**

Again, while holding moderate forward / upward pressure on the center raised bump of the bumper under guard, ensure that the rubber is still properly aligned with the feature line in the rear bumper. Then begin pulling each remaining tape liner, one side at a time, to meet in the center of the part and ultimately removed completely.

**11**

Apply moderate palm pressure across the entire top and side leading edges where the tape is contacting the bumper. Use a dry and clean microfiber towel to continue rubbing pressure along these same areas approx. 5 times in a consistent direction from one end of the Bumper Under Guard to the other, to ensure proper tape adhesion and compression is achieved.